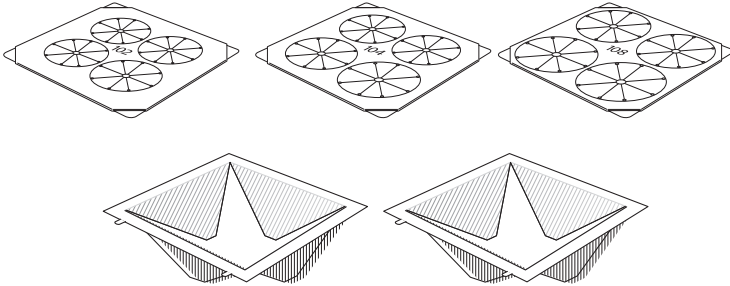


# DISPENSE-RITE® BCDS-BFL Boxed Cone Dispenser SETUP & OPERATION INSTRUCTIONS

The ice cream cone dispenser is shipped completely assembled. Prior to initial usage you will need to identify and insert the proper baffle plate and collar adapter based on the cone manufacturer and size of the boxed cone being dispensed.

## SECTION ONE - IDENTIFY & INSTALL BAFFLE PLATE AND COLLAR ADAPTER

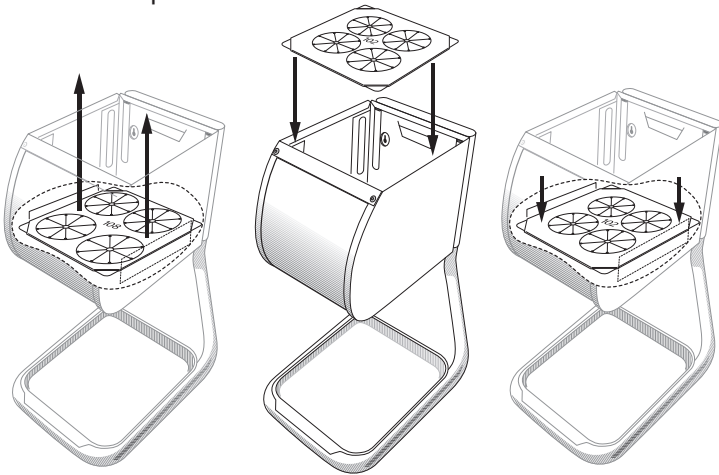
- 1** Identify the recommended baffle plate and collar adapter for your cone size by referring to the chart shown on the right.



- 2** If the #108 baffle plate (pre-installed) is recommended for your cone size it is not necessary to install a collar adapter or to replace the baffle plate prior to loading the cones.

Proceed to **SECTION TWO - LOADING BOXED CONES**

- 3** If the #102 or #104 baffle plate are recommended remove the #108 baffle plate and replace with the #102 or #104 baffle plate.



**Note:** when inserting the baffle plate ensure that it is pushed firmly into place and secured underneath the channel protrusions on each side of the dispenser.

Proceed to additional setup instructions on reverse side of page

Boxed ice cream cones (dispenser packs) are available from a variety of cone manufacturers in different sizes. The BCDS-BFL Boxed Cone Dispenser includes three baffle plate inserts and two collar adapters to provide compatibility with most popular boxed cone sizes.

To ensure proper dispensing and minimize cone damage use the chart below to identify and install the recommended baffle plate and collar adapter prior to initial usage.

Manufacturer and Cone Size	Recommended Baffle Plate	Recommended Collar Adapter
<b>Joy Cone</b>		
#1	#102	#102
#10	#102	#102
#22	#104	#104
#30	#108	NONE
#40	#108	NONE
#60	NOT COMPATIBLE	
<b>Keebler Cone</b>		
#1	#102	#102
#10	#102	#102
#15	#104	#104
#25	#102	#102
#34	#108	NONE
#40	#108	NONE
<b>Novelty Cone</b>		
#1	#102	#102
#8	#104	#104
#10	#102	#102
#25	#102	#102
#35	#104	NONE
#55	NONE	#108



Diversified Metal Products, Inc.

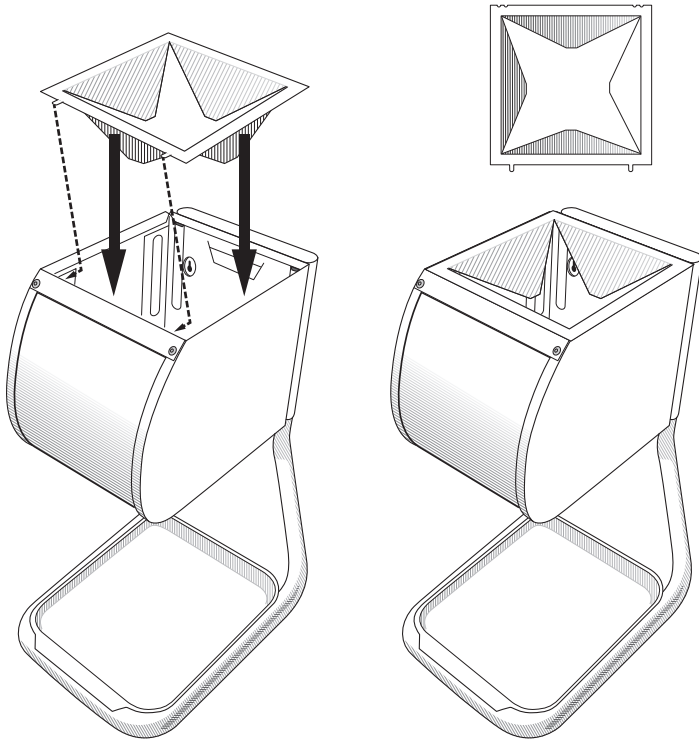
2205 Carlson Drive • Northbrook, IL 60062 • (847) 753-9595 • fax (847) 753-9648  
www.dispense-rite.com • sales@dispense-rite.com

# DISPENSE-RITE® BCDS-BFL Boxed Cone Dispenser SETUP & OPERATION INSTRUCTIONS

## SECTION ONE - CONTINUED

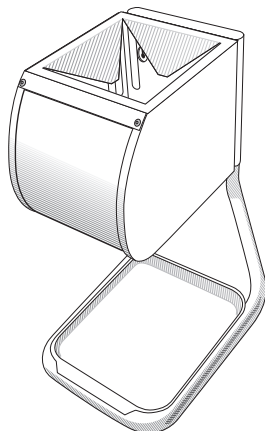
- 4** If the #102 collar adapter (small) or #104 adapter (large) are recommended insert the correct adapter into the dispenser head by aligning the tabs with the front two holes and push down firmly so that the back tabs sit inside the embossings on the rear of the dispenser head.

TOP VIEW



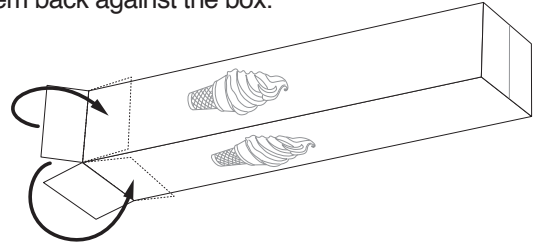
- 5** With the correct baffle plate and collar adapter (if required) installed in the dispenser you are now ready to load cones into the dispenser.

Proceed to SECTION TWO - LOADING BOXED CONES

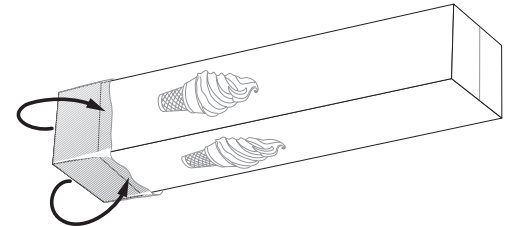


## SECTION TWO - LOADING BOXED CONES

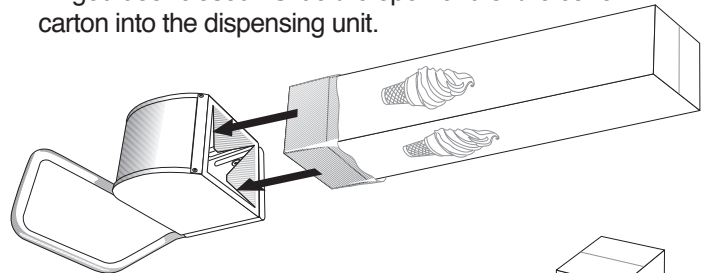
- 1** Lay your cone box on its side and open the bottom flaps. Remove the carton flaps (tear or cut off) or bend them back against the box.



Open the plastic bag liner and stretch the bag up and over the carton sides so that the cones are visible. Remove the chipboard stand and/or pad (if included)



- 2** Lay the dispenser stand on its side or back with the hinged door closed. Slide the open end of the cone carton into the dispensing unit.

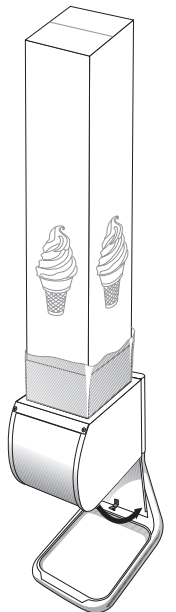


- 3** Holding the cone carton and dispenser together securely stand the entire unit upright and open the hinged door.

Cones should partially fall through the four holes in the baffle plate. You may need to adjust the first few cones to center them in the baffle plate for proper dispensing.

**Important note: If cones are difficult to remove or fall through on their own verify that you have installed the correct baffle plate for your cone size in SECTION ONE (see reverse page).**

**If cone box wobbles be sure that you have installed the correct collar adapter (see left hand side of this page).**



Diversified Metal Products, Inc.

2205 Carlson Drive • Northbrook, IL 60062 • (847) 753-9595 • fax (847) 753-9648  
www.dispense-rite.com • sales@dispense-rite.com