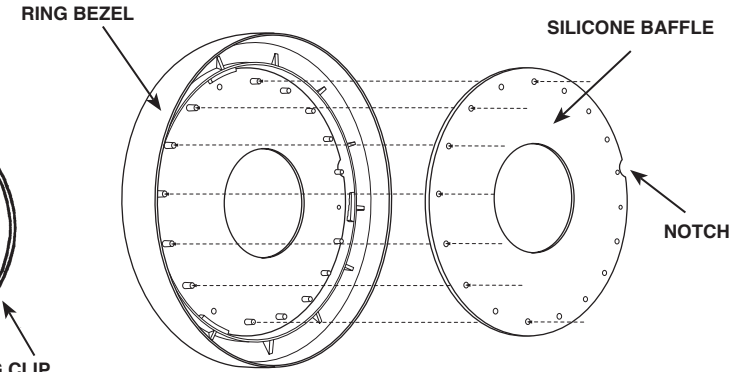
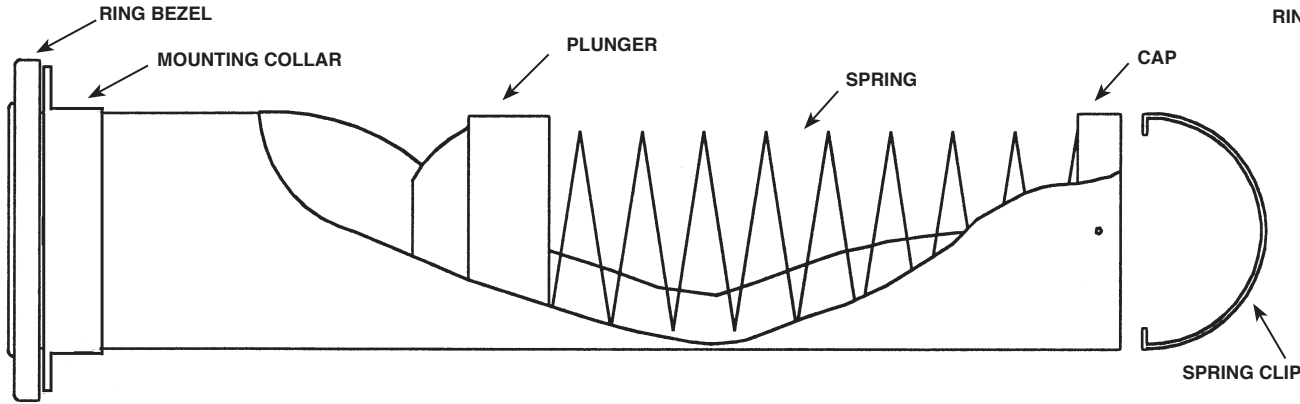
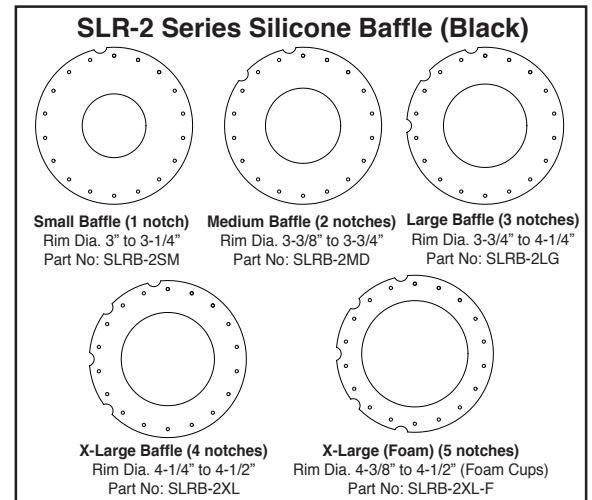
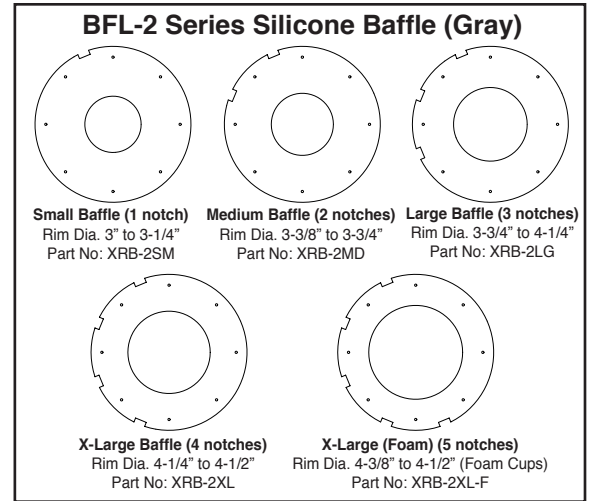


DISPENSE-RITE® Interchangeable Baffle Cup Dispenser Replacement Parts Listing



REPLACEMENT PART NUMBERS & NET PRICING			
Part Description	BFL-2 Series	BFL-3 Series	SLR-2 Series
Ring Bezel	BFL2RA-SS	BFL3RA-SS	SLR2R-BLK
Thumbscrews	BFL-THUMB	BFL-THUMB	Not Applicable
Mounting Collar	ADJ2M	ADJ3M	SLR2M
Plunger	003ADJ2P-2	003ADJ3P-2	003ADJ2P-2
Spring	"F": 001009S, "P": 001006S "F": 001009, "P": 001006 "F": 001009S, "P": 001006S		
Cap	004ADJ2C-P	004ADJ3C-P	004ADJ2C-P
Spring Clip	006151	006164	006STL2
Silicone Baffles	XRB-2SM, XRB-2MD XRB-2LG, XRB-2XL XRB-2XL-F	XRB-3XL, XRB-3XL-2 XRB-3JM (above baffles not shown in diagram)	SLRB-2SM, SLRB-2MD SLRB-2LG, SLRB-2XL SLRB-2XL-F

Note: Pricing and specifications subject to change at any time.



DISPENSE-RITE®