

SETUP & ADJUSTMENT INSTRUCTIONS FOR WR-CT-OVRHD CUP DISPENSING RACK

The **WR-CT-OVRHD** Surface Mounted Cup Dispensing Rack is designed to accommodate paper, plastic or foam cups with rim diameters ranging from 2-5/8" to 4-3/4". The dispenser is completely assembled, but will require installation onto a vertical surface and a minor adjustment before it can be used. Please review the instructions below for installing and adjusting the unit to fit your particular dispensing application.

1. Fold down the adjustable support arms so that they are perpendicular to the dispensing rack (unit will form a 90° angle). (See Figure 1)
2. Position the dispensing rack against the vertical surface that will be utilized for the installation of this item. Position the rack so that the discharge end is at the bottom. (See Figure 1)
3. Attach the adjustable support arms to the wall with the supplied mounting brackets. (See Item A in Figure 1)
4. Use the supplied allen wrench to loosen the set screws in the two clamps on each side of the adjustable support arms. (See Item B in Figure 1)
5. Pivot the dispensing rack to the desired mounting angle and retighten the two set screws on each side. (See Item B in Figure 2)
6. Secure the top portion of the dispensing rack to the mounting surface with the supplied mounting brackets. (See Item C in Figure 2)
7. Load a full sleeve of cups into the first section and adjust for proper fit. To adjust for cup size locate the two black vertical adjustment springs on either side of the unit (see Figure 3).
 - A. Turn both adjustment springs clockwise to tighten for smaller cup sizes.
 - B. Turn both adjustment springs counter-clockwise to loosen for larger cup sizes.
 - C. When unit dispenses one cup at a time your dispenser is properly adjusted and ready for use.

Repeat this adjustment procedure for all of the individual sections in your cup dispensing rack.

8. If you have purchased the optional **WR-CT-COVER** you can now install it directly over the top of the **WR-CT-OVRHD** dispensing rack and secure it with the provided hardware.

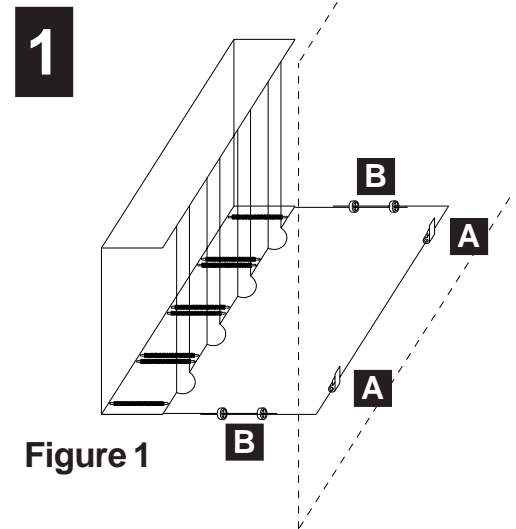


Figure 1

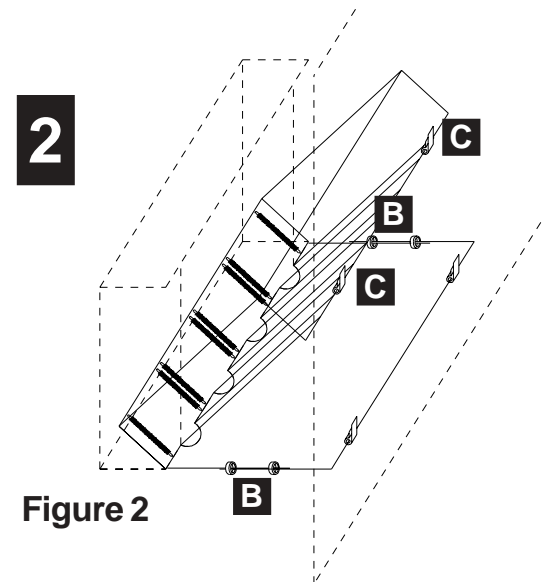


Figure 2

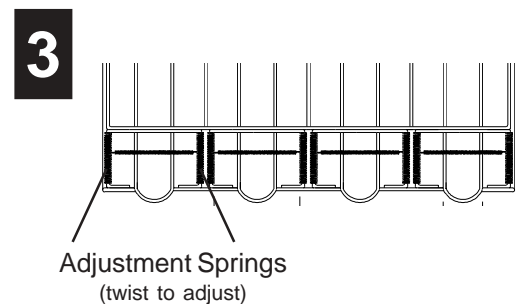


Figure 3