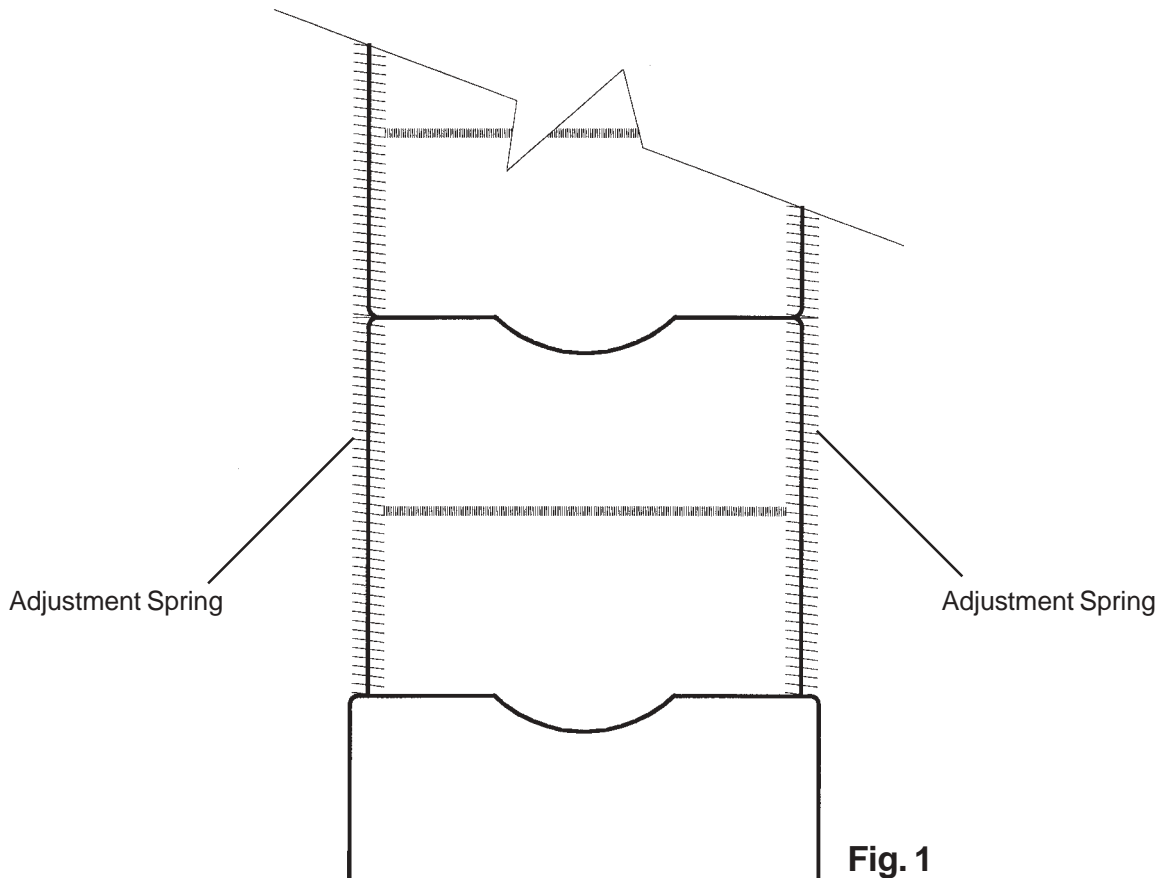


# ADJUSTMENT INSTRUCTIONS FOR *DISPENSE-RITE*<sup>®</sup> WR-CT SERIES COUNTERTOP DISPENSERS

*WR-CT Series* Countertop Dispensers are designed to accommodate paper, plastic or foam cups. The dispenser is completely assembled, but requires a minor adjustment before it can be used. Please review the instructions below for adjusting the dispenser to fit your cup sizes.



1. Install the (4) black plastic bumper feet packaged with these instructions onto the legs of the dispenser.  
Note: Additional suction cup feet are provided for use if required. Do not remove the plastic bumper feet before installing the provided suction cups.
2. Load a sleeve of cups to be dispensed into each section of the cup tower.
3. To adjust for cup size locate the two black vertical adjustment springs on either side of the unit (see Fig.1)
  - A. Turn both adjustment springs clockwise to tighten for smaller cup sizes.
  - B. Turn both adjustment springs counter-clockwise to loosen for larger cup sizes.
  - C. When unit dispenses one cup at a time your dispenser is properly adjusted and ready for use.

***DISPENSE-RITE***<sup>®</sup>  
Diversified Metal Products, Inc.  
2205 Carlson Drive • Northbrook, IL 60062  
(847) 753-9595 • (847) 753-9648 fax  
[www.dispense-rite.com](http://www.dispense-rite.com)